



## UVC LED Disinfection Module



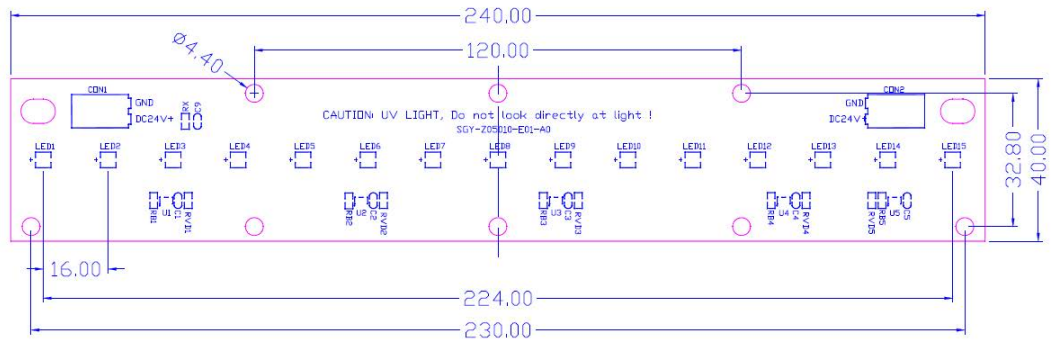
## Specification

Item No.:	STRG-15UVC3939
Light Source:	Lens UVC LED chip 60 degree
Input Voltage:	DC24V
Power Consumption:	17W/PCS
Wavelength:	265~278nm
Dimensions:	240mm*40mm
Beam angle:	60 degree
Radiant Flux	300mw/pcs

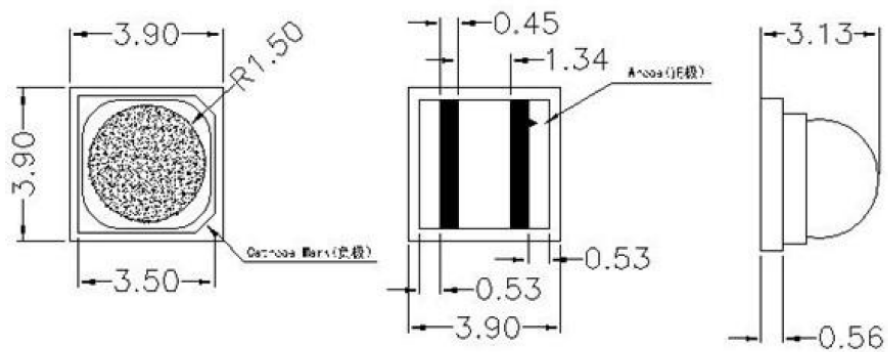
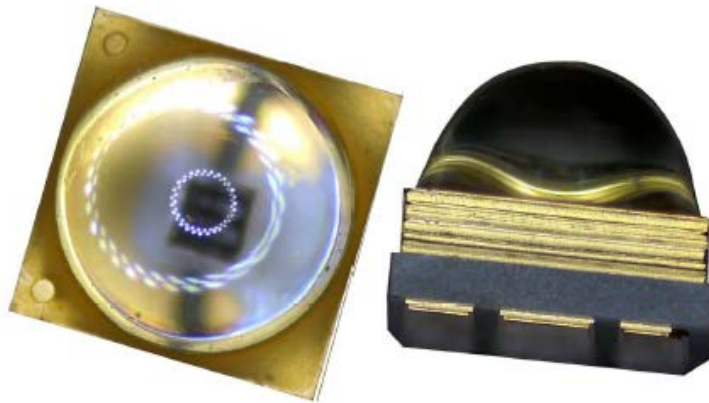
## Product Detail Description

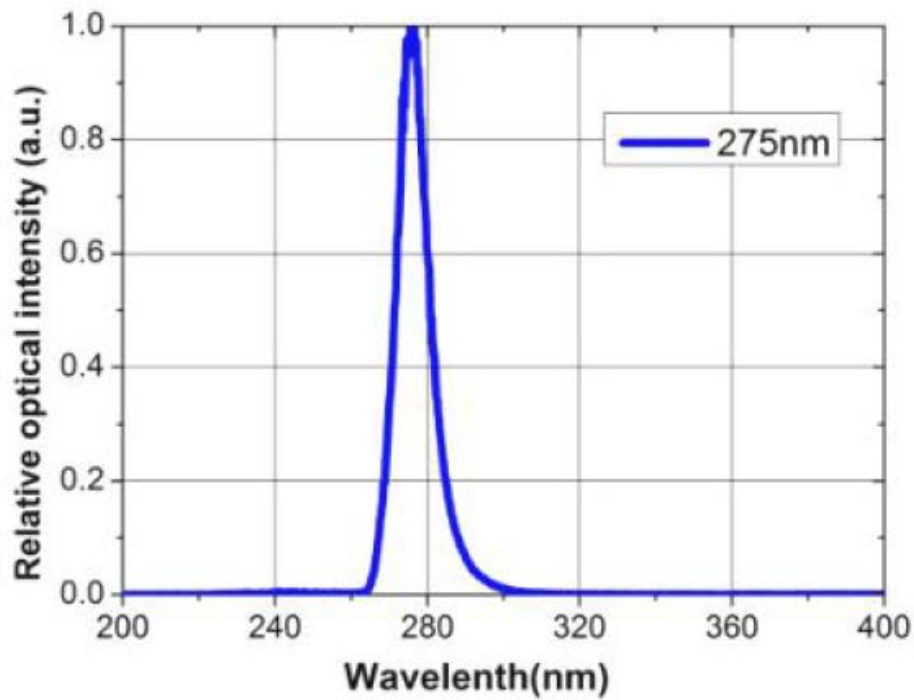
- 1)15pcs UVC LED chip per piece,
- 2) Good stability, CE & RoHS approved
- 3) Aluminium PCB stable quality and good heat dissipation,
- 4) 15~20 mw each UVC chip

## UVC Bar light size:



## UVC LED chip information





### Irradiation Dose & Area

UVC-LED Module parameters			
Item		Value	Unit
UVC LED	Optical Power	300	mW
	Beam angle $\phi$	60	°
Parameters	Irradiation distance	50	cm
	Irradiation area diameter	57.74	cm
	Optical power density	114.59	$\mu\text{W}/\text{cm}^2$

*Suggestion: Distance between UVC LED should be less than 7cm*

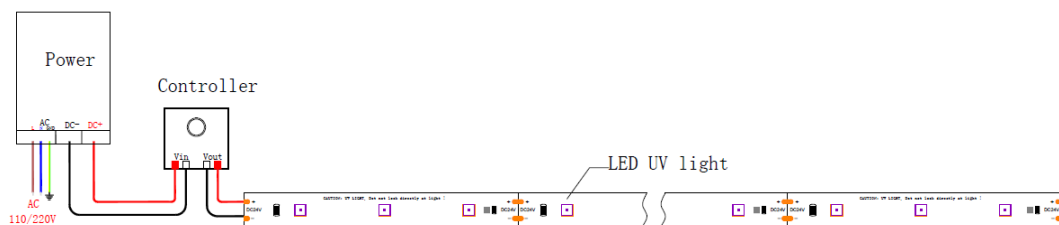
UVC Module Irradiation Area			
Input	Number of UVC in horizontal direction	15	pcs
	Number of lamp beads in vertical direction	0	pcs
	Horizontal distance of UVC chips	1.8	cm
	Vertical distance of UVC chips	0	cm
	Beam angle of UVC LED	60	°
	Irradiation distance	50	cm
Output	Horizontal length of irradiation area	82.94	cm
	Vertical length of irradiation area	57.74	cm

UVC-LED Module parameters	
Distance (cm)	Optical power density ( $\mu\text{W}/\text{cm}^2$ )
1	286478.90
2.5	45836.62
5	11459.16
7.5	5092.96
10	2864.79
50	114.59
100	28.65

**Application:**

1. Surface sterilization
2. Water purification
3. Air purification

**Wire Connection,**



## **Attention!**

1. Pay special attention: UV lamps, please do not look directly at the light source with the naked eye! Test please wear special goggles!
2. Please read the product instructions carefully before the product is installed and used;
3. The power output must be DC24V;
4. The product is lightly put, to avoid damage to the product, please hand over to professionals to install and repair, maintenance;
5. Please understand the label tips on the lamp packaging when wiring;
6. When wiring must cut off the external power supply, to prevent people from touching or damage the lamp, the product must be installed after the installation before powering;
7. When using external power cords outdoors, it is necessary to take measures to waterproof and leak water;
8. It is forbidden to press the surface of the LED;
9. The use of any acidic or alkaline adhesive type of glue is prohibited from this product;