

LA018 Linear light

Description

The LA018 linear light is a low power LED strip product designed for outdoor landscape lighting. It adopts aviation grade 6063 extruded aluminum shell, flame-retardant plastic PC end cover, and is waterproof by high thermal conductivity and weather-resistant PU glue; the light bar is small in size and exquisite in appearance; the light strips are connected by national standard flexible cable; the product length and color can be Customized, can adapt to the installation of large curves or curved surfaces; suitable for the contour of the building facade, the interior and exterior surfaces are brightened..



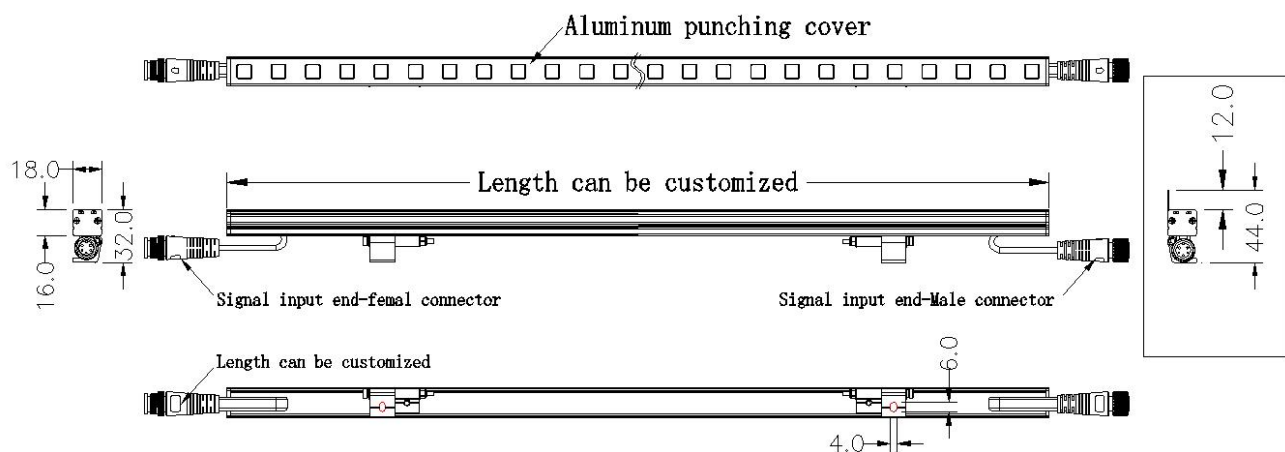
Features:

- ★ New generation dual channel real-time backup control protocol
- ★ Industry-leading wireless button-type anti-smash connection design
- ★ High thermal conductivity glue full potting waterproof design
- ★ Outdoor lightning protection and Electrostatic (ESD) special protection design
- ★ The top cover of the product is optional: support PC flat cover or aluminum punch flat cover
- ★ The product uses an original angle adjustable bracket design
- ★ Support RGB/W current separately adjustable (low light and high gray)

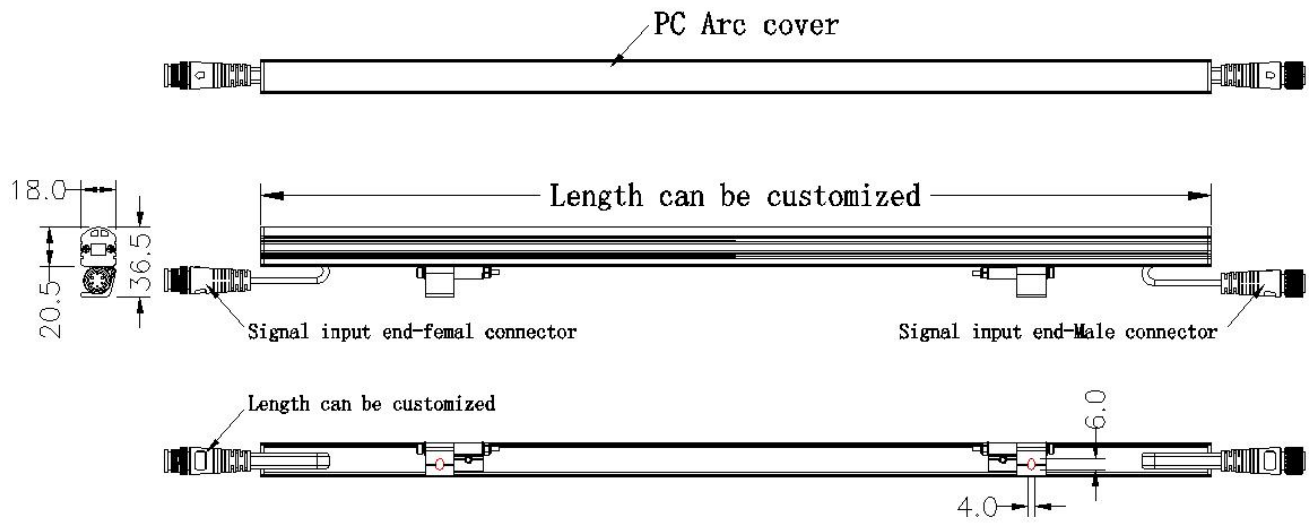
Application environment: indoor, outdoor

Measurement (Unit:mm)

One: Aluminum punching top cover measurement:



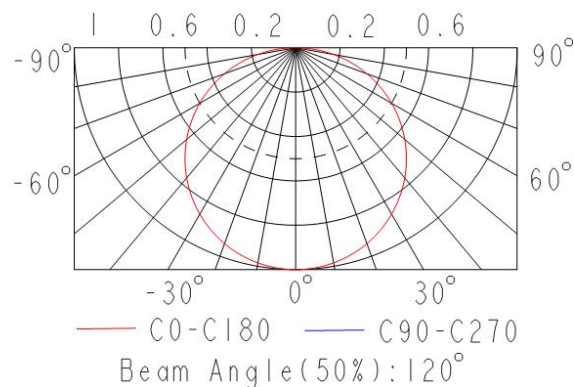
TWO : PC flat cover measurement:



Technical Parameters:

Basic parameters			
Color/gray	RGB/W each 4096 grayscale; RGB/W each 256 grayscale;		
Light source	3535 / 5050 / 2835	LED quantities	48pcs/m
Material	Aviation grade 6063 extruded aluminum	Cover material	Flame retardant PC / aluminum with punching
Lifespan	50,000h	Weight	408g/m
Optical parameters			
Operating Voltage	DC12V / 24V	Maximum power	12~15W/m
RGB Light intensity	120cd/m	White light	240cd/m
Beam angle	30° /45° /60° /90° /120°	Electric grade	Class III
Other parameters			
Operating temperature	-20° C to 50° C	Storage temperature	-40° C to 70° C
Protection level	IP66		

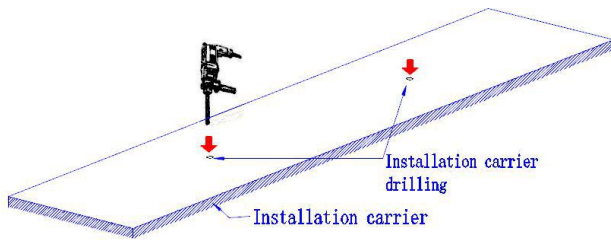
Light distribution curve



Product selection table

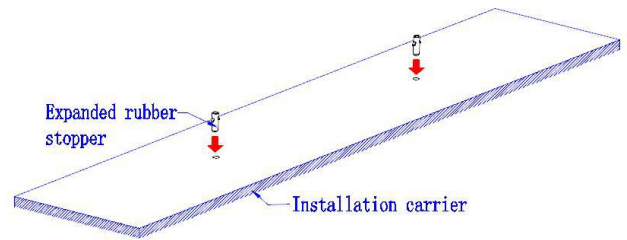
Model	Light source quantities	Light source	Color	Control	DC Operating Voltage	Power	White light light intensity
LA018-48BU	48 PCS	5050	RGB/W	Dual channel real-time backup TTL	24V	12W	120cd
LA018-48XT	48 PCS	5050	RGBW	TTL	24V	15W	180cd
LA018-48CU	48 PCS	2835	W	Dual channel real-time backup TTL	24V	12W	240cd
LA018-48CN	48 PCS	2835	W	No control	24V	12W	240cd
LA018-48BD	48 PCS	5050/3535	RGB/W	DMX512	24V	12W	120cd
LA018-48XD	48 PCS	5050/3535	RGBW	DMX512	24V	15W	180cd

Angle adjustable mounting bracket installation:



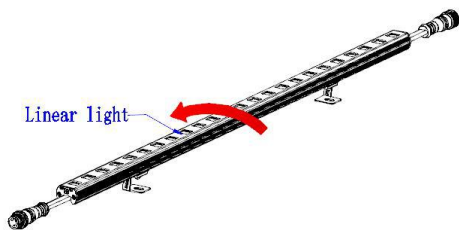
1 installation carrier drilling:

Make marks on the carrier according to the hole position of the lamp mounting bracket, and drill holes (6mm drill bit is recommended);



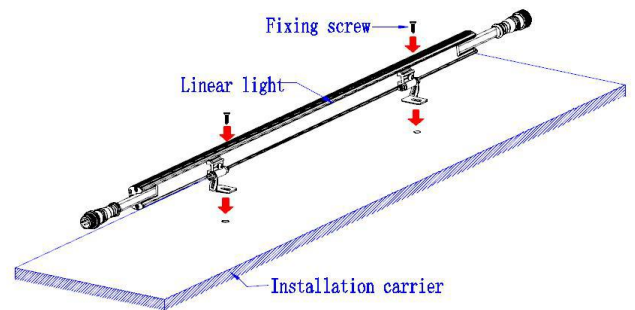
2 Install the carrier with expansion rubber plug:

In the drilling position, knock the expansion rubber plug into the drill hole with a hammer (Note: the rubber plug should not be loose);



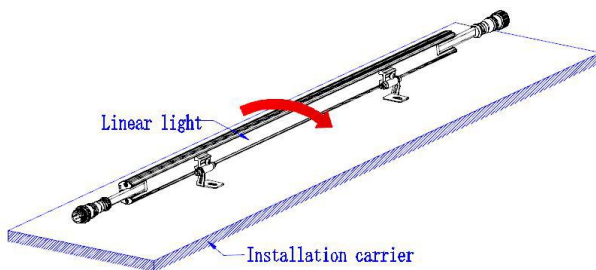
3 flip lamps:

Turn the luminaire angle to drill the screw;



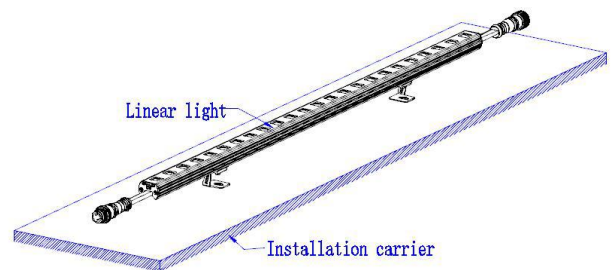
4 fixtures fixed:

Place the luminaire in the mounting hole and lock the mounting screws;



5 flip lamps:

After the lamp is fixed, adjust the angle of the lamp according to actual needs, and lock the screw with the angle adjustment;



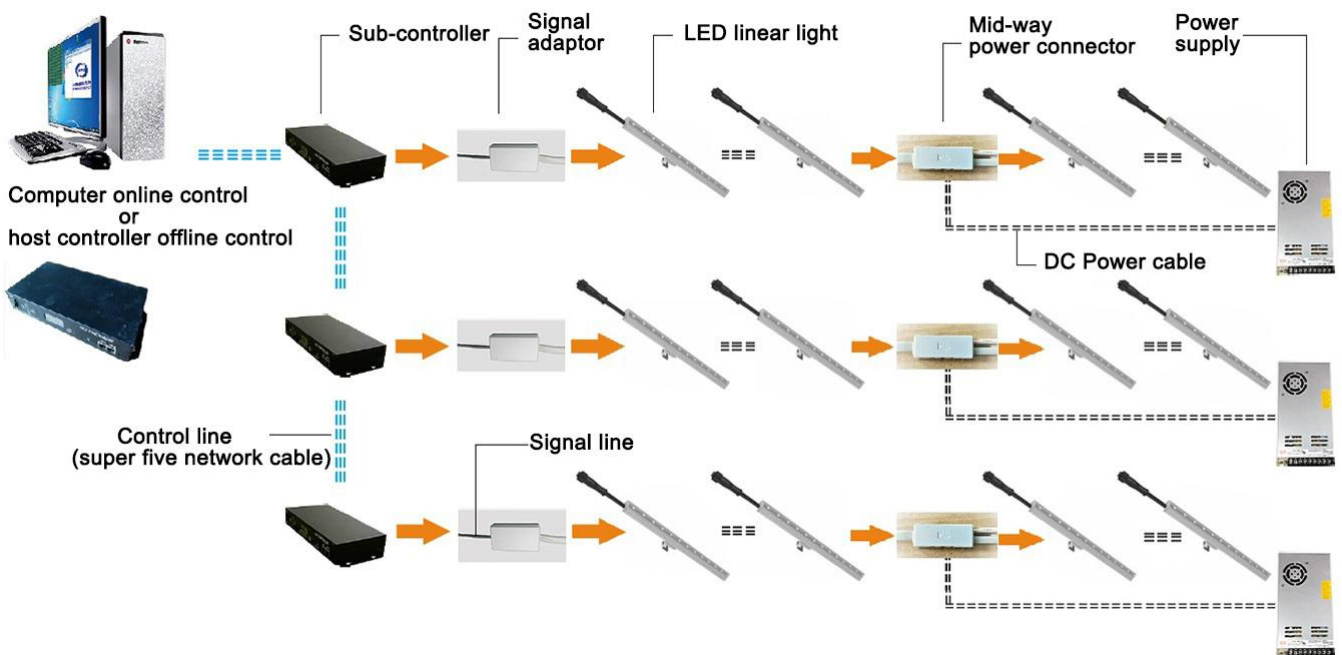
6 fixtures are fixed and installed:

The fixture is installed and checked for a secure fit. Waiting for wiring.

System connection

- 1、 The main controller is equipped with sub-controller and signal adaptor. The main control and sub-control working voltage is AC220V. The working voltage of the signal adaptor is the same as the working voltage of the pixel light.
- 2、 Each sub-controller has 8 ports. The TTL sub-controller can carry 512 (RGB) pixels per port. The DMX sub-controller can carry 170 (RGB) pixels per port. It is used with the signal adaptor and supports 200 meters long distance transmission.
- 3、 The main control and sub-control, sub-control and sub-control are connected by CAT5 twisted cables, the maximum distance of each section is less than 120 meters; the maximum transmission distance between the sub-controller and the signal adaptor is less than 120 meters. In this case, the maximum distance from the signal adaptor to the first pixel light is no more than 2 meters.
- 4、 It is recommended that the maximum point spacing should not exceed 2.5 meters, and each intermediate power supply can support the power supply distance of 6 meters left and right (can be adjusted according to the project conditions).

System schematic



Control system	TTL Dual channel real-time backup	DMX512
Main controller		
Sub controller	MR-218A	MR-218DW
Signal adaptor		
Signal adaptor		
Signal cable	Two-core shielded wire	Two-core shielded wire

Notes:

1. Please read the installation manual carefully before using the product.
2. The product is handled gently and gently to avoid damage to the product. Installation, maintenance and maintenance must be handled by professionals;
3. The external power supply must be cut off during wiring to prevent people from getting an electric shock or damaging the lamp;
4. When the external power cord is connected, the corresponding measures of waterproofing and water leakage must be taken;
5. The male and female waterproof protective covers for the products shall not be removed before the products are installed and connected;
6. Quality Assurance: Under normal conditions of use, quality assurance is based on the proper storage, installation, use and maintenance of the product.

(Note: Product damage caused by improper installation and use, in violation of product operating procedures, is not within the scope of product quality assurance.)