



## LED Flood Light Series

SHA ——— P33-38

SHB ——— P39-44

SHC ——— P45-50



# SHA155



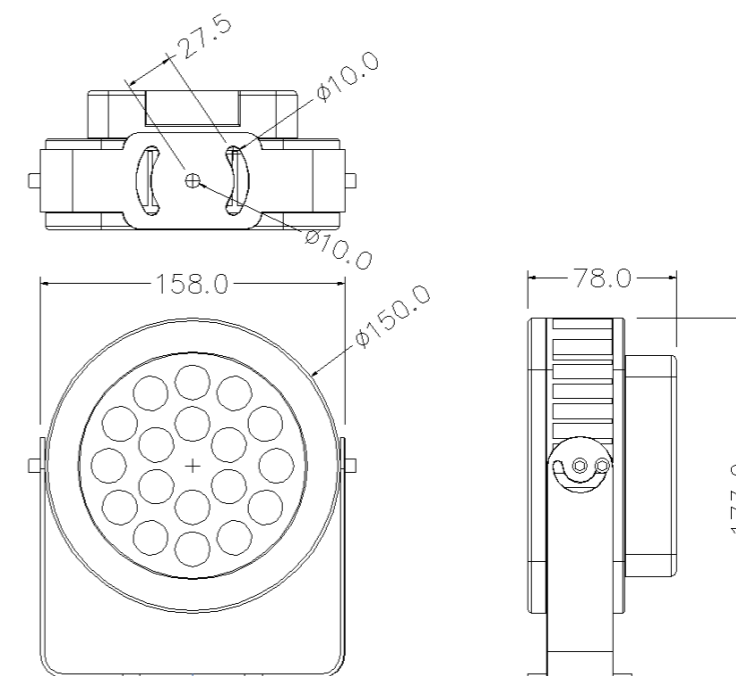
## Features

- ★ Standard DMX512 control protocol
- ★ Built-in anti-pull connection design for waterproof connector
- ★ High thermal conductivity adhesive, fully potted and waterproof design
- ★ Special protection design for outdoor lightning protection and static electricity (ESD)
- ★ Product flexibility, wide application, multiple installation methods
- ★ The lamp can be adjusted at an angle greater than or equal to 180°
- ★ Optional anti-glare cover
- ★ Professional optical design, fine and uniform light mixing, long projection distance
- ★ Support RGB/W current individually adjustable (low brightness and high gray)

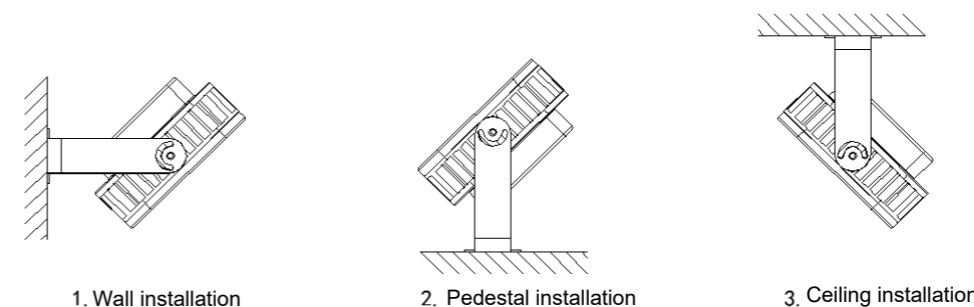
## Description

SHA155 projection light is a high-power LED floodlight product specially designed for outdoor landscape lighting. Adopting high thermal conductivity die-casting aluminum shell, sealed by high thermal conductivity and weather-resistant PU glue + sealing ring double waterproof; the appearance of the lamps is exquisite and generous; the lamps are connected by the national standard customized flexible cable, which can be bent and deformed at will; adjustable angle greater than 180 degrees. The mounting bracket is more convenient for different application environment conditions; the appearance and luminous color can be customized; it is mainly used for decorative lighting and lighting of building outlines, overpasses, monuments, columns, flower beds and other places.

## Product Size



## Installation



## Parameters

Color temperature: RGB/W	Voltage: DC24V/36V
Gray level: 65536 level	Maximum power: 12W-24W
LED type: 3535/3030	Work temperature: -20°C to 50°C
LED Qty: 12pcs/18pcs	Storage temperature: -20°C to 60°C
Shell material: high thermal conductivity aluminum + optical glass	Protection level: IP67
Beam angle: 3°/5°/7°/10°/15°/25°/30°/45°/60°	Service life: 50,000 hours

## Model No.

Item No.	LED Qty	LED type	Color temperature	Control way	Voltage	Power	Brightness
SHA155-12WN	12pcs	3030	R/G/B/W	Single color	DC24/36V	12W	840 LM
SHA155-18WN	18pcs	3030	R/G/B/W	Single color	DC24/36V	18W	1050 LM
SHA155-24WD-1	12pcs	3535	RGB/W	DMX512	DC24/36V	24W	1680 LM
SHA155-24WD-2	12pcs	3535	RGBW	DMX512	DC24/36V	24W	570 LM

# SHA190



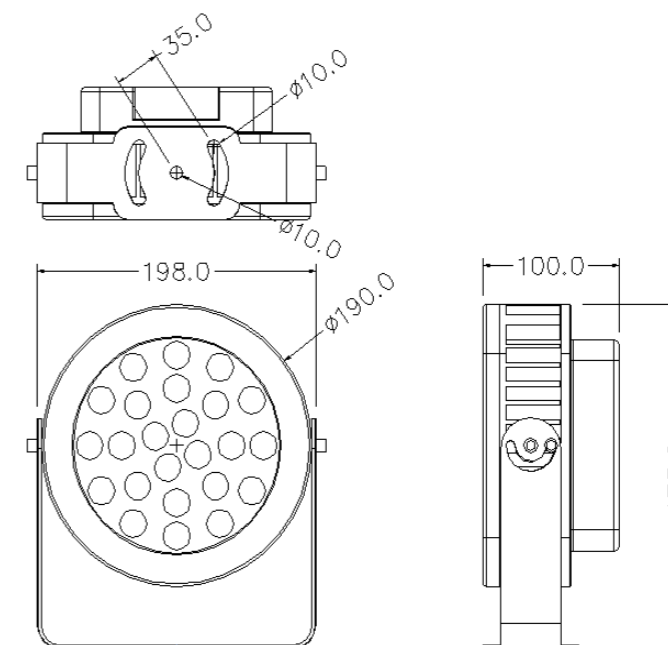
## Features

- ★ Standard DMX512 control protocol
- ★ Built-in anti-pull connection design for waterproof connector
- ★ High thermal conductivity adhesive, fully potted and waterproof design
- ★ Special protection design for outdoor lightning protection and static electricity (ESD)
- ★ Product flexibility, wide application, multiple installation methods
- ★ The lamp can be adjusted at an angle greater than or equal to 180°
- ★ Optional anti-glare cover
- ★ Professional optical design, fine and uniform light mixing, long projection distance
- ★ Support RGB/W current individually adjustable (low brightness and high gray)

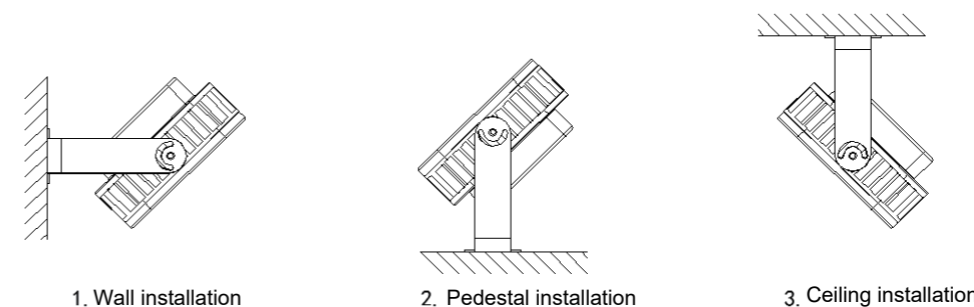
## Description

SHB190 projection light is a high-power LED floodlight product specially designed for outdoor landscape lighting. Adopting high thermal conductivity die-casting aluminum shell, sealed by high thermal conductivity and weather-resistant PU glue + sealing ring double waterproof; the appearance of the lamps is exquisite and generous; the lamps are connected by the national standard customized flexible cable, which can be bent and deformed at will; adjustable angle greater than 180 degrees. The mounting bracket is more convenient for different application environment conditions; the appearance and luminous color can be customized; it is mainly used for decorative lighting and lighting of building outlines, overpasses, monuments, columns, flower beds and other places.

## Product Size



## Installation



## Parameters

Color temperature: RGB/W	Voltage: DC24V/36V
Gray level: 65536 level	Maximum power: 24W-36W
LED type: 3535/3030	Work temperature: -20°C to 50°C
LED Qty: 18pcs/24pcs	Storage temperature: -20°C to 60°C
Shell material: high thermal conductivity aluminum + optical glass	Protection level: IP67
Beam angle: 3°/5°/7°/10°/15°/25°/30°/45°/60°	Service life: 50,000 hours

## Model No.

Item No.	LED Qty	LED type	Color temperature	Control way	Voltage	Power	Brightness
SHA190-24WN	24pcs	3535/3030	R/G/B/W	Single color	DC24/36V	24W	1890 LM
SHA190-30WN	24pcs	3535	R/G/B/W	Single color	DC24/36V	30W	2100 LM
SHA190-36WD-1	18/24pcs	3535	RGB/W	DMX512	DC24/36V	36W	2520 LM
SHA190-36WD-2	18/24pcs	3535	RGBW	DMX512	DC24/36V	36W	960 LM

# SHA205



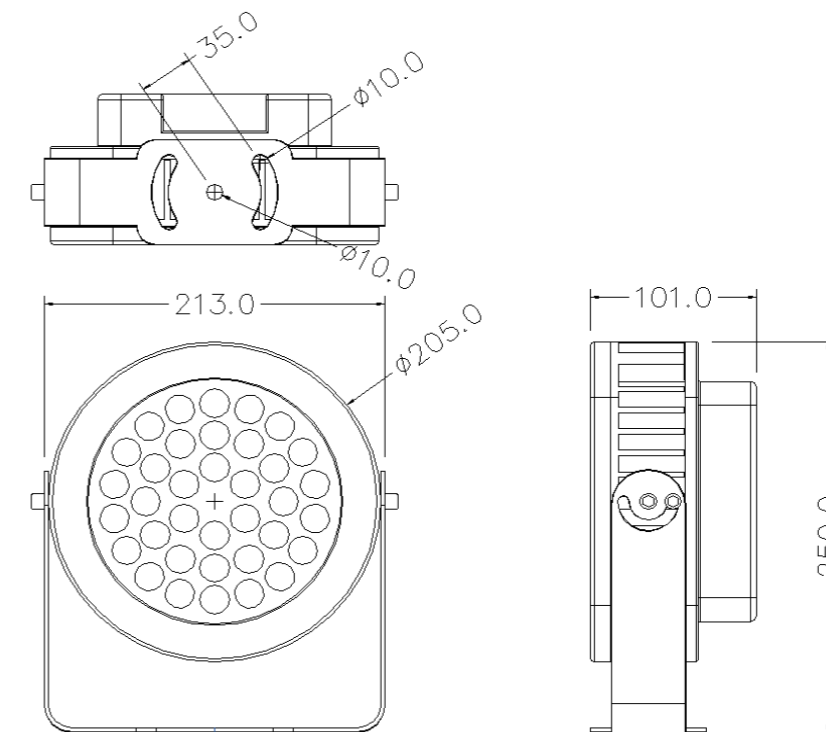
## Features

- ★ Standard DMX512 control protocol
- ★ Built-in anti-pull connection design for waterproof connector
- ★ High thermal conductivity adhesive, fully potted and waterproof design
- ★ Special protection design for outdoor lightning protection and static electricity (ESD)
- ★ Product flexibility, wide application, multiple installation methods
- ★ The lamp can be adjusted at an angle greater than or equal to 180°
- ★ Optional anti-glare cover
- ★ Professional optical design, fine and uniform light mixing, long projection distance
- ★ Support RGB/W current individually adjustable (low brightness and high gray)

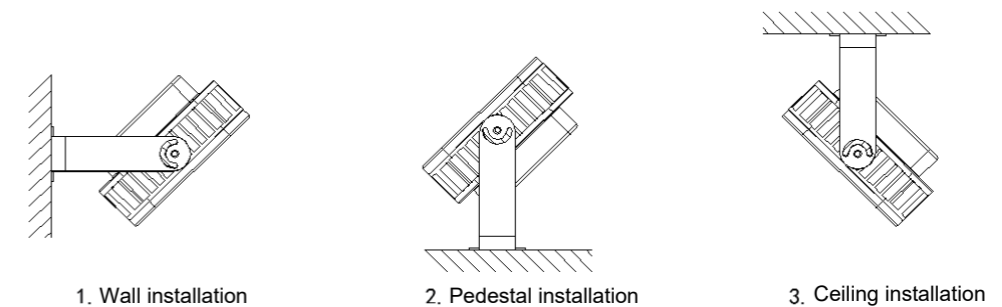
## Description

SHA205 projection light is a high-power LED floodlight product specially designed for outdoor landscape lighting. Adopting high thermal conductivity die-casting aluminum shell, sealed by high thermal conductivity and weather-resistant PU glue + sealing ring double waterproof; the appearance of the lamps is exquisite and generous; the lamps are connected by the national standard customized flexible cable, which can be bent and deformed at will; adjustable angle greater than 180 degrees. The mounting bracket is more convenient for different application environment conditions; the appearance and luminous color can be customized; it is mainly used for decorative lighting and lighting of building outlines, overpasses, monuments, columns, flower beds and other places.

## Product Size



## Installation



## Parameters

Color temperature: RGB/W	Voltage: DC24V/36V
Gray level: 65536 level	Maximum power: 36W-54W
LED type: 3535/3030	Work temperature: -20°C to 50°C
LED Qty: 24pcs/36pcs	Storage temperature: -20°C to 60°C
Shell material: high thermal conductivity aluminum + optical glass	Protection level: IP67
Beam angle: 3°/5°/7°/10°/15°/25°/30°/45°/60°	Service life: 50,000 hours

## Model No.

Item No.	LED Qty	LED type	Color temperature	Control way	Voltage	Power	Brightness
SHA205-36WN	36pcs	3535/3030	R/G/B/W	Single color	DC24/36V	36W	2520 LM
SHA205-54WN	36pcs	3535	R/G/B/W	Single color	DC24/36V	54W	3780 LM
SHA205-36WD	36pcs	3535	RGB/W	DMX512	DC24/36V	36W	2520 LM
SHA205-54WD	36pcs	3535	RGBW	DMX512	DC24/36V	54W	1450 LM



# SHB135



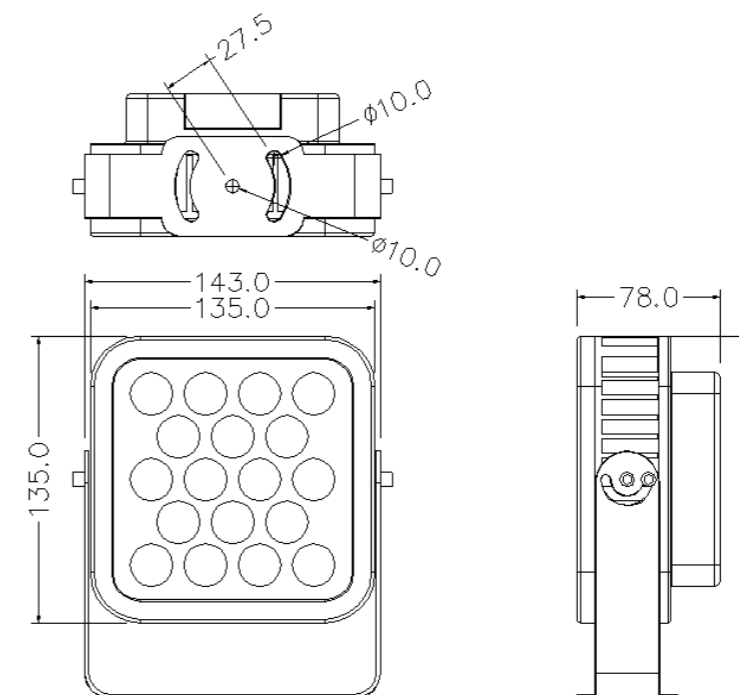
## Features

- ★ Standard DMX512 control protocol
- ★ Built-in anti-pull connection design for waterproof connector
- ★ High thermal conductivity adhesive, fully potted and waterproof design
- ★ Special protection design for outdoor lightning protection and static electricity (ESD)
- ★ Product flexibility, wide application, multiple installation methods
- ★ The lamp can be adjusted at an angle greater than or equal to 180°
- ★ Optional anti-glare cover
- ★ Professional optical design, fine and uniform light mixing, long projection distance
- ★ Support RGB/W current individually adjustable (low brightness and high gray)

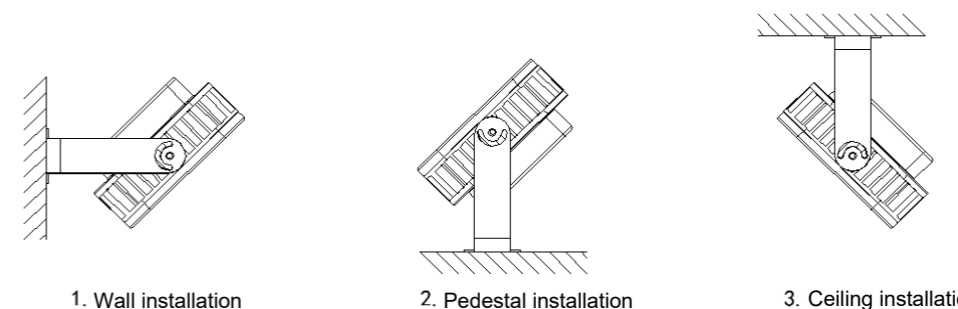
## Description

SHB135 projection light is a high-power LED floodlight product specially designed for outdoor landscape lighting. Adopting high thermal conductivity die-casting aluminum shell, sealed by high thermal conductivity and weather-resistant PU glue + sealing ring double waterproof; the appearance of the lamps is exquisite and generous; the lamps are connected by the national standard customized flexible cable, which can be bent and deformed at will; adjustable angle greater than 180 degrees The mounting bracket is more convenient for different application environment conditions; the appearance and luminous color can be customized; it is mainly used for decorative lighting and lighting of building outlines, overpasses, monuments, columns, flower beds and other places.

## Product Size



## Installation



## Parameters

Color temperature: RGB/W	Voltage: DC24V/36V
Gray level: 65536 level	Maximum power: 12W-24W
LED type: 3535/3030	Work temperature: -20°C to 50°C
LED Qty: 12pcs/18pcs	Storage temperature: -20°C to 60°C
Shell material: high thermal conductivity aluminum + optical glass	Protection level: IP67
Beam angle: 3°/5°/7°/10°/15°/25°/30°/45°/60°	Service life: 50,000 hours

## Model No.

Item No.	LED Qty	LED type	Color temperature	Control way	Voltage	Power	Brightness
SHB135-12WN	12pcs	3030	R/G/B/W	Single color	DC24/36V	12W	840 LM
SHB135-18WN	18pcs	3030	R/G/B/W	Single color	DC24/36V	18W	1050 LM
SHB135-24WD-1	12pcs	3535	RGB/W	DMX512	DC24/36V	24W	1680 LM
SHB135-24WD-2	12pcs	3535	RGBW	DMX512	DC24/36V	24W	570 LM

# SHB160



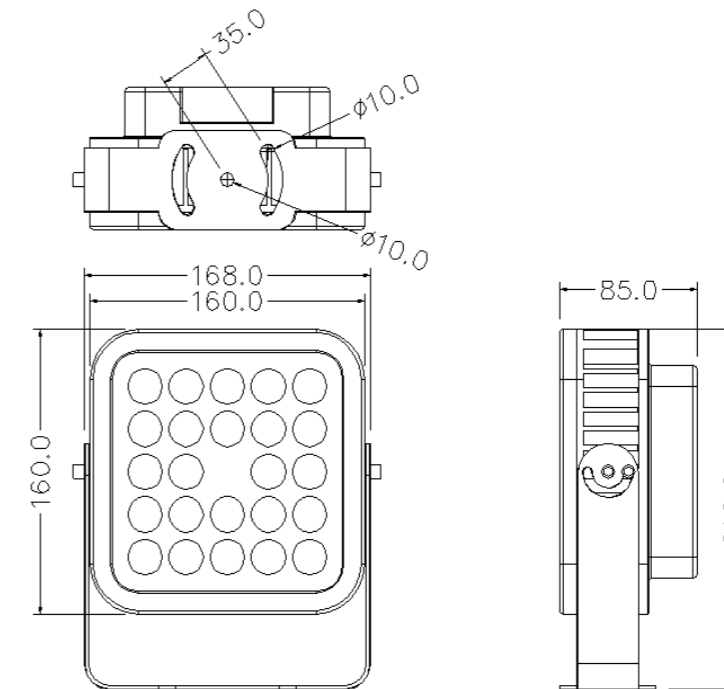
## Features

- ★ Standard DMX512 control protocol
- ★ Built-in anti-pull connection design for waterproof connector
- ★ High thermal conductivity adhesive, fully potted and waterproof design
- ★ Special protection design for outdoor lightning protection and static electricity (ESD)
- ★ Product flexibility, wide application, multiple installation methods
- ★ The lamp can be adjusted at an angle greater than or equal to 180°
- ★ Optional anti-glare cover
- ★ Professional optical design, fine and uniform light mixing, long projection distance
- ★ Support RGB/W current individually adjustable (low brightness and high gray)

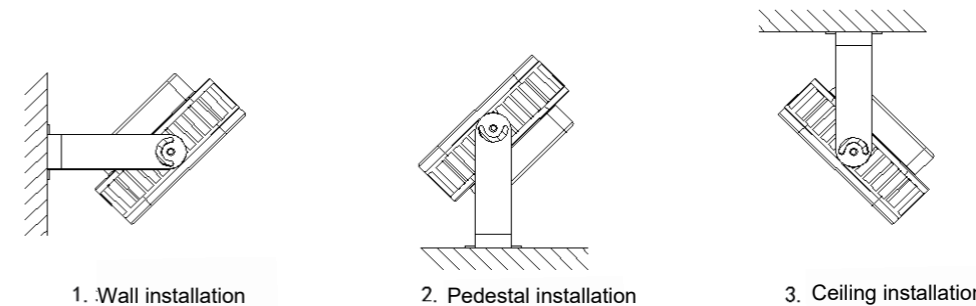
## Description

SHB160 projection light is a high-power LED floodlight product specially designed for outdoor landscape lighting. Adopting high thermal conductivity die-casting aluminum shell, sealed by high thermal conductivity and weather-resistant PU glue + sealing ring double waterproof; the appearance of the lamps is exquisite and generous; the lamps are connected by the national standard customized flexible cable, which can be bent and deformed at will; adjustable angle greater than 180 degrees The mounting bracket is more convenient for different application environment conditions; the appearance and luminous color can be customized; it is mainly used for decorative lighting and lighting of building outlines, overpasses, monuments, columns, flower beds and other places.

## Product Size



## Installation



## Parameters

Color temperature: RGB/W	Voltage: DC24V/36V
Gray level: 65536 level	Maximum power: 24W-36W
LED type: 3535/3030	Work temperature: -20°C to 50°C
LED Qty: 18pcs/24pcs	Storage temperature: -20°C to 60°C
Shell material: high thermal conductivity aluminum + optical glass	Protection level: IP67
Beam angle: 3°/5°/7°/10°/15°/25°/30°/45°/60°	Service life: 50,000 hours

## Model No.

Item No.	LED Qty	LED type	Color temperature	Control way	Voltage	Power	Brightness
SHB160-24WN	24pcs	3535/3030	R/G/B/W	Single color	DC24/36V	24W	1890 LM
SHB160-30WN	24pcs	3535	R/G/B/W	Single color	DC24/36V	30W	2100 LM
SHB160-36WD-1	18/24pcs	3535	RGB/W	DMX512	DC24/36V	36W	2520 LM
SHB160-36WD-2	18/24pcs	3535	RGBW	DMX512	DC24/36V	36W	960 LM

## SHB190



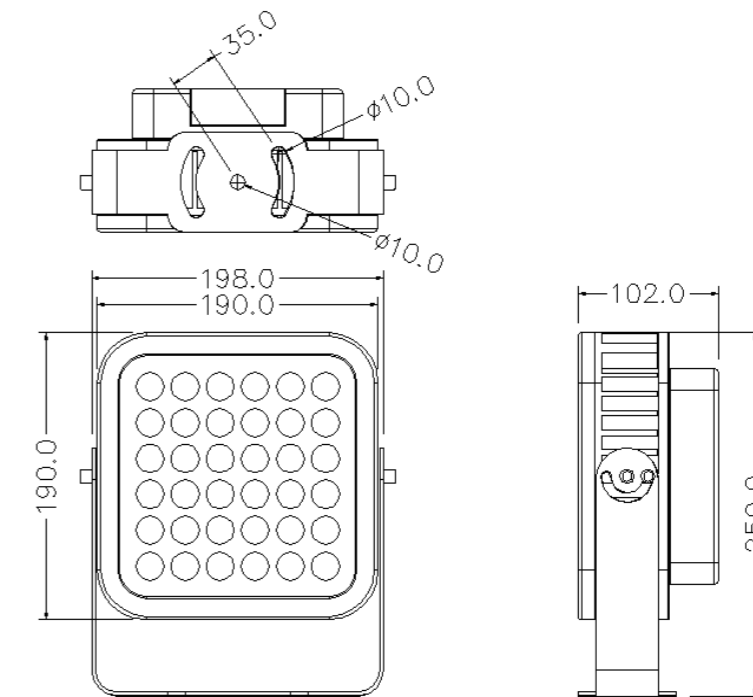
### Features

- ★ Standard DMX512 control protocol
- ★ Built-in anti-pull connection design for waterproof connector
- ★ High thermal conductivity adhesive, fully potted and waterproof design
- ★ Special protection design for outdoor lightning protection and static electricity (ESD)
- ★ Product flexibility, wide application, multiple installation methods
- ★ The lamp can be adjusted at an angle greater than or equal to 180°
- ★ Optional anti-glare cover
- ★ Professional optical design, fine and uniform light mixing, long projection distance
- ★ Support RGB/W current individually adjustable (low brightness and high gray)

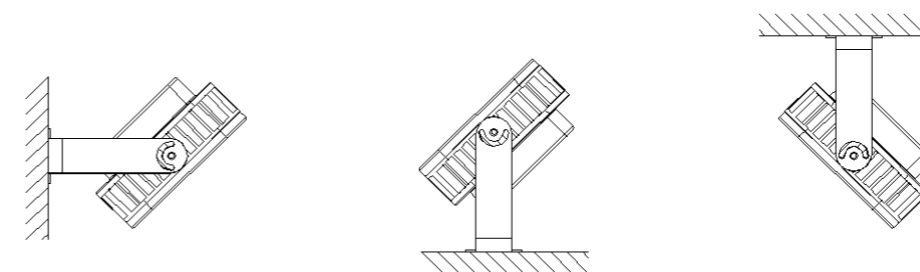
### Description

SHB190 projection light is a high-power LED floodlight product specially designed for outdoor landscape lighting. Adopting high thermal conductivity die-casting aluminum shell, sealed by high thermal conductivity and weather-resistant PU glue + sealing ring double waterproof; the appearance of the lamps is exquisite and generous; the lamps are connected by the national standard customized flexible cable, which can be bent and deformed at will; adjustable angle greater than 180 degrees The mounting bracket is more convenient for different application environment conditions; the appearance and luminous color can be customized; it is mainly used for decorative lighting and lighting of building outlines, overpasses, monuments, columns, flower beds and other places.

### Product Size



### Installation



1. Wall installation

2. Pedestal installation

3. Ceiling installation

### Parameters

Color temperature: RGB/W  
 Gray level: 65536 level  
 LED type: 3535/3030  
 LED Qty: 24pcs/36pcs  
 Shell material: high thermal conductivity aluminum + optical glass  
 Beam angle: 3°/5°/7°/10°/15°/25°/30°/45°/60°

Voltage: DC24V/36V  
 Maximum power: 36W-54W  
 Work temperature: -20°C to 50°C  
 Storage temperature: -20°C to 60°C  
 Protection level: IP67  
 Service life: 50,000 hours

### Model No.

Item No.	LED Qty	LED type	Color temperature	Control way	Voltage	Power	Brightness
SHB190-36WN	36pcs	3535/3030	R/G/B/W	Single color	DC24/36V	36W	2520 LM
SHB190-54WN	36pcs	3535	R/G/B/W	Single color	DC24/36V	54W	3780 LM
SHB190-36WD	36pcs	3535	RGB/W	DMX512	DC24/36V	36W	2520 LM
SHB190-54WD	36pcs	3535	RGBW	DMX512	DC24/36V	54W	1450 LM



# SHC120



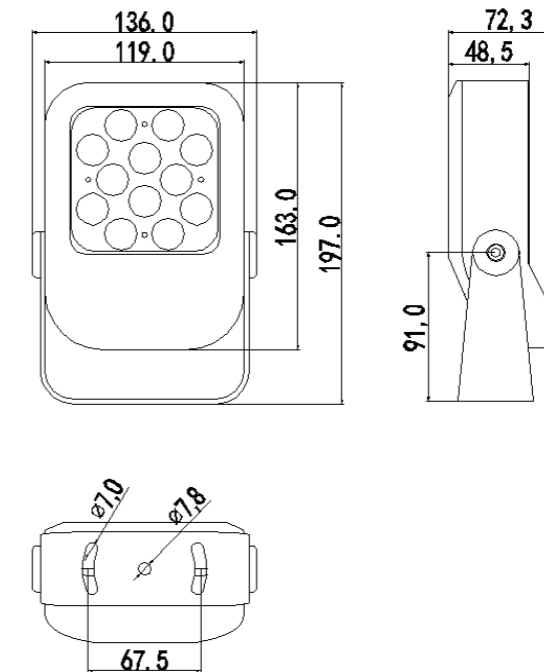
## Features

- ★ Standard DMX512 control protocol
- ★ Built-in anti-pull connection design for waterproof connector
- ★ High thermal conductivity adhesive, fully potted and waterproof design
- ★ Special protection design for outdoor lightning protection and static electricity (ESD)
- ★ Product flexibility, wide application, multiple installation methods
- ★ The lamp can be adjusted at an angle greater than or equal to 180°
- ★ Optional anti-glare cover
- ★ Professional optical design, fine and uniform light mixing, long projection distance
- ★ Support RGB/W current individually adjustable (low brightness and high gray)

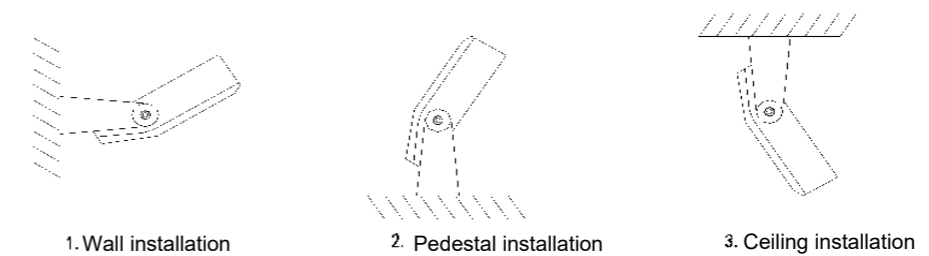
## Description

SHC120 projection light is a high-power LED floodlight product specially designed for outdoor landscape lighting. Adopting high thermal conductivity die-casting aluminum shell, sealed by high thermal conductivity and weather-resistant PU glue + sealing ring double waterproof; the appearance of the lamps is exquisite and generous; the lamps are connected by the national standard customized flexible cable, which can be bent and deformed at will; adjustable angle greater than 180 degrees. The mounting bracket is more convenient for different application environment conditions; the appearance and luminous color can be customized; it is mainly used for decorative lighting and lighting of building outlines, overpasses, monuments, columns, flower beds and other places.

## Product Size



## Installation



## Parameters

Color temperature: RGB/W	Voltage: DC24V/36V
Gray level: 65536 level	Maximum power: 9W-18W
LED type: 3535/3030	Work temperature: -20°C to 50°C
LED Qty: 4pcs/12pcs	Storage temperature: -20°C to 60°C
Shell material: high thermal conductivity aluminum + optical glass	Protection level: IP67
Beam angle: 3°/5°/7°/10°/15°/25°/30°/45°/60°	Service life: 50,000 hours

## Model No.

Item No.	LED Qty	LED type	Color temperature	Control way	Voltage	Power	Brightness
SHC120-12WN	4/12pcs	3535/3030	R/G/B/W	Single color	DC24/36V	12W	840 LM
SHC120-15WN	12pcs	3535	R/G/B/W	Single color	DC24/36V	15W	1050 LM
SHC120-18WD-1	9/12pcs	3535	RGB/W	DMX512	DC24/36V	18W	1260 LM
SHC120-18WD-2	9/12pcs	3535	RGBW	DMX512	DC24/36V	18W	480 LM



# SHC160



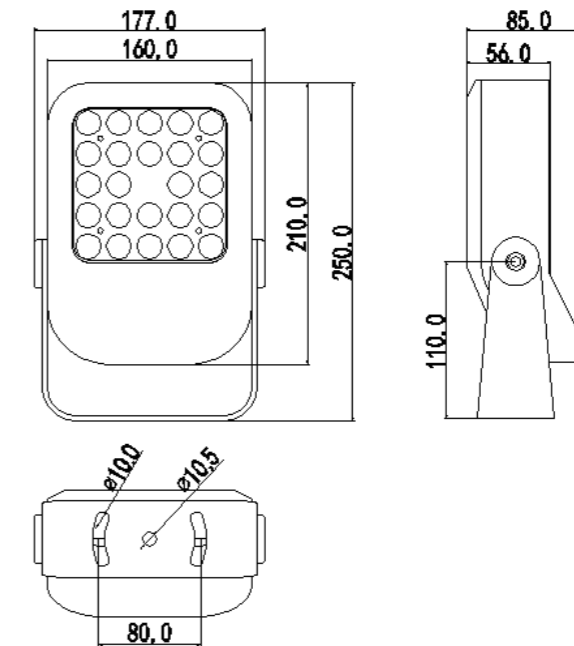
## Features

- ★ Standard DMX512 control protocol
- ★ Built-in anti-pull connection design for waterproof connector
- ★ High thermal conductivity adhesive, fully potted and waterproof design
- ★ Special protection design for outdoor lightning protection and static electricity (ESD)
- ★ Product flexibility, wide application, multiple installation methods
- ★ The lamp can be adjusted at an angle greater than or equal to 180°
- ★ Optional anti-glare cover
- ★ Professional optical design, fine and uniform light mixing, long projection distance
- ★ Support RGB/W current individually adjustable (low brightness and high gray)

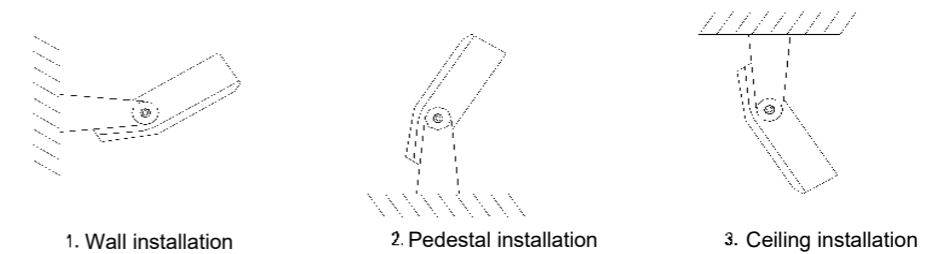
## Description

SHC160 projection light is a high-power LED floodlight product specially designed for outdoor landscape lighting. Adopting high thermal conductivity die-casting aluminum shell, sealed by high thermal conductivity and weather-resistant PU glue + sealing ring double waterproof; the appearance of the lamps is exquisite and generous; the lamps are connected by the national standard customized flexible cable, which can be bent and deformed at will; adjustable angle greater than 180 degrees. The mounting bracket is more convenient for different application environment conditions; the appearance and luminous color can be customized; it is mainly used for decorative lighting and lighting of building outlines, overpasses, monuments, columns, flower beds and other places.

## Product Size



## Installation



## Parameters

Color temperature: RGB/W	Voltage: DC24V/36V
Gray level: 65536 level	Maximum power: 18W-36W
LED type: 3535/3030	Work temperature: -20°C to 50°C
LED Qty: 9pcs/24pcs	Storage temperature: -20°C to 60°C
Shell material: high thermal conductivity aluminum + optical glass	Protection level: IP67
Beam angle: 3°/5°/7°/10°/15°/25°/30°/45°/60°	Service life: 50,000 hours

## Model No.

Item No.	LED Qty	LED type	Color temperature	Control way	Voltage	Power	Brightness
SHC160-18WN	9/24pcs	3535/3030	R/G/B/W	Single color	DC24/36V	18W	1260 LM
SHC160-27WN	9/24pcs	3535/3030	R/G/B/W	Single color	DC24/36V	27W	1890 LM
SHC160-36WD-1	9/24pcs	3535	RGB/W	DMX512	DC24/36V	36W	2520 LM
SHC160-36WD-2	9/24pcs	3535	RGBW	DMX512	DC24/36V	36W	960 LM

# SHC190



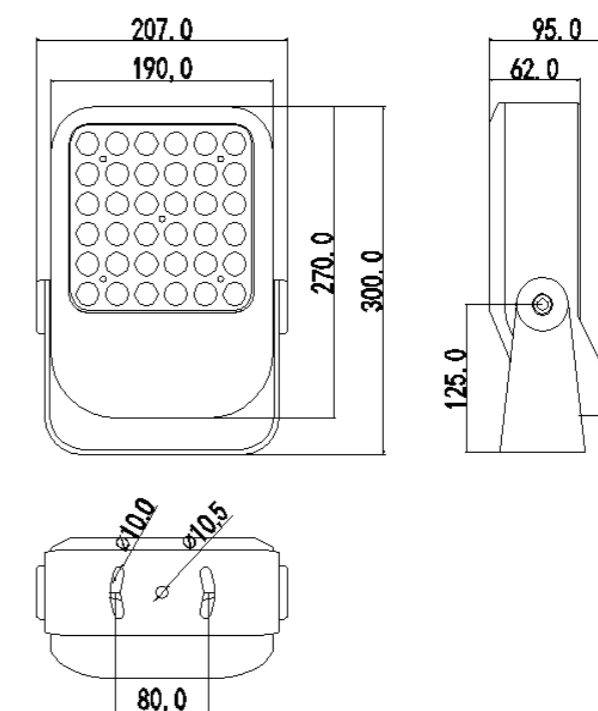
## Features

- ★ Standard DMX512 control protocol
- ★ Built-in anti-pull connection design for waterproof connector
- ★ High thermal conductivity adhesive, fully potted and waterproof design
- ★ Special protection design for outdoor lightning protection and static electricity (ESD)
- ★ Product flexibility, wide application, multiple installation methods
- ★ The lamp can be adjusted at an angle greater than or equal to 180°
- ★ Optional anti-glare cover
- ★ Professional optical design, fine and uniform light mixing, long flood distance
- ★ Support RGB/W current individually adjustable (low brightness and high gray)

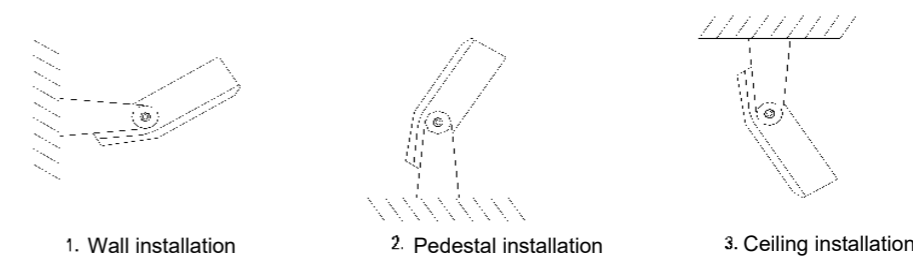
## Description

SHC190 flood light is a high-power LED floodlight product specially designed for outdoor landscape lighting. Adopting high thermal conductivity die-casting aluminum shell, sealed by high thermal conductivity and weather-resistant PU glue + sealing ring double waterproof; the appearance of the lamps is exquisite and generous; the lamps are connected by the national standard customized flexible cable, which can be bent and deformed at will; adjustable angle greater than 180 degrees The mounting bracket is more convenient for different application environment conditions; the appearance and luminous color can be customized; it is mainly used for decorative lighting and lighting of building outlines, overpasses, monuments, columns, flower beds and other places.

## Product Size



## Installation



## Parameters

Color temperature: RGB/W	Voltage: DC24V/36V
Gray level: 65536 level	Maximum power: 48W-72W
LED type: 3535/3030	Work temperature: -20°C to 50°C
LED Qty: 16pcs/36pcs/48pcs	Storage temperature: -20°C to 60°C
Shell material: high thermal conductivity aluminum+optical glass	Protection level: IP67
Beam angle: 3°/5°/7°/10°/15°/25°/30°/45°/60°	Service life: 50,000 hours

## Model No.

Item No.	LED Qty	LED type	Color temperature	Control way	Voltage	Power	Brightness
SHC190-48WN	16/48pcs	3535/3030	R/G/B/W	Single color	DC24/36V	48W	3360 LM
SHC190-54WN	36pcs	3535	R/G/B/W	Single color	DC24/36V	54W	3780 LM
SHC190-72WN	36pcs	3535	R/G/B/W	Single color	DC24/36V	72W	5040 LM
SHC190-72WD-1	36pcs	3535	RGB/W	DMX512	DC24/36V	72W	5040 LM
SHC190-72WD-2	36pcs	3535	RGBW	DMX512	DC24/36V	72W	1940 LM