



2835 LED Strip



Specification

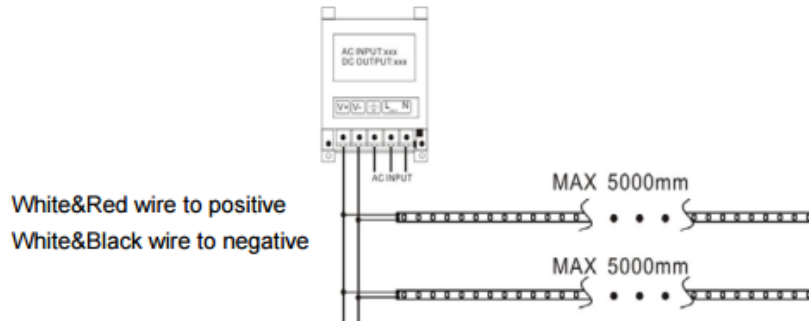
Item No.:	STSN-60UV2835 STSN-120UV2835
Light Source:	SMD 2835 Chip
Voltage:	12/24V
Power Consumption:	60leds/m 8W/m 120leds/m 16w/m
Radiated Power:	60leds/m 2400mw/m 120leds/m 4800mw/m
Color Temperature:	395~400nm, 400~405nm
Colors:	Purple
Dimensions:	5000mm*8mm/5000mm*10mm

Product Detail Description

- 1) 60pcs & 120pcs SMD2835 LED per meter,
- 2) 395~400nm, 400~405nm wavelength are both available

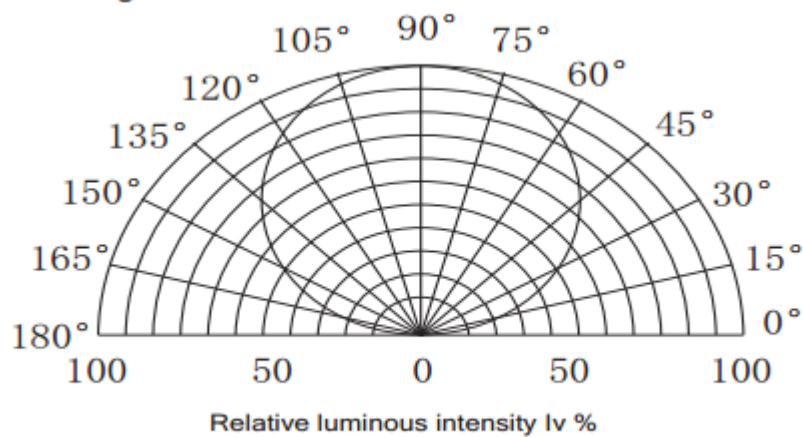
- 3) CE & RoHS certificated
- 4) One bin in same batch

Wire Connection,



Radiation Diagram

Radiation diagram



LED Light distribution

Packing

Neutral packing, Electrostatic bag can perfect reduce the ESD damage for the led tap light. You can mark your logo and bar code to the bag.

